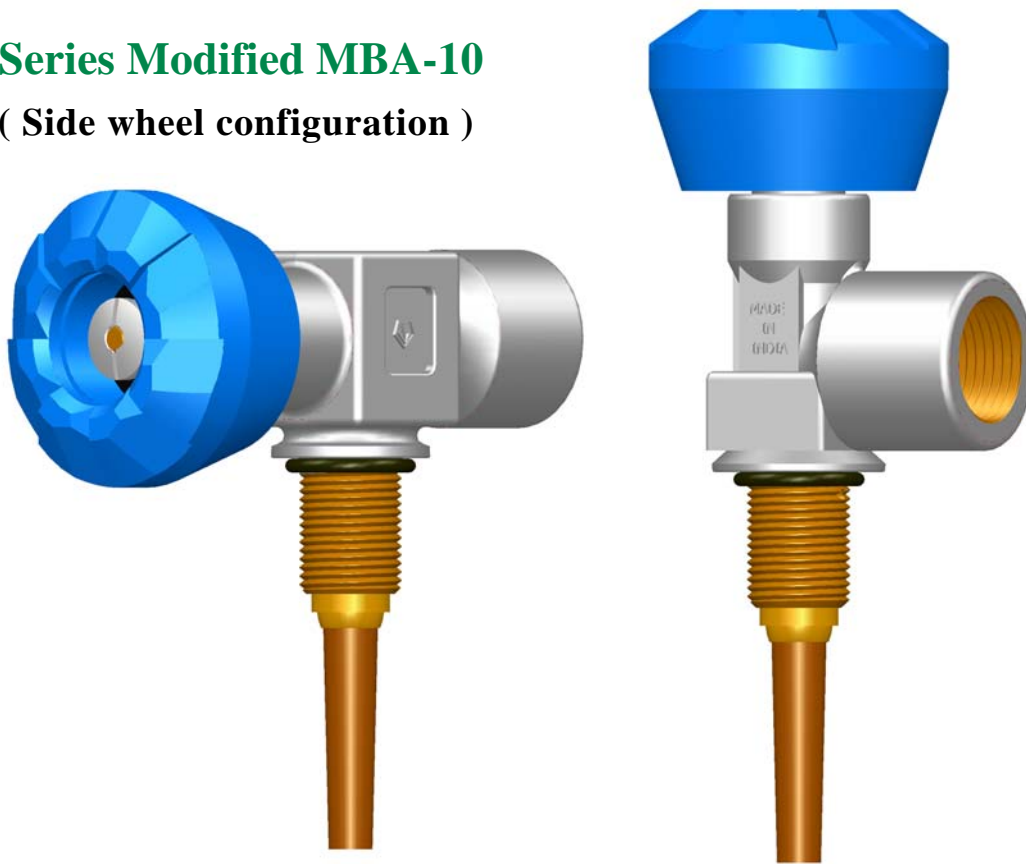


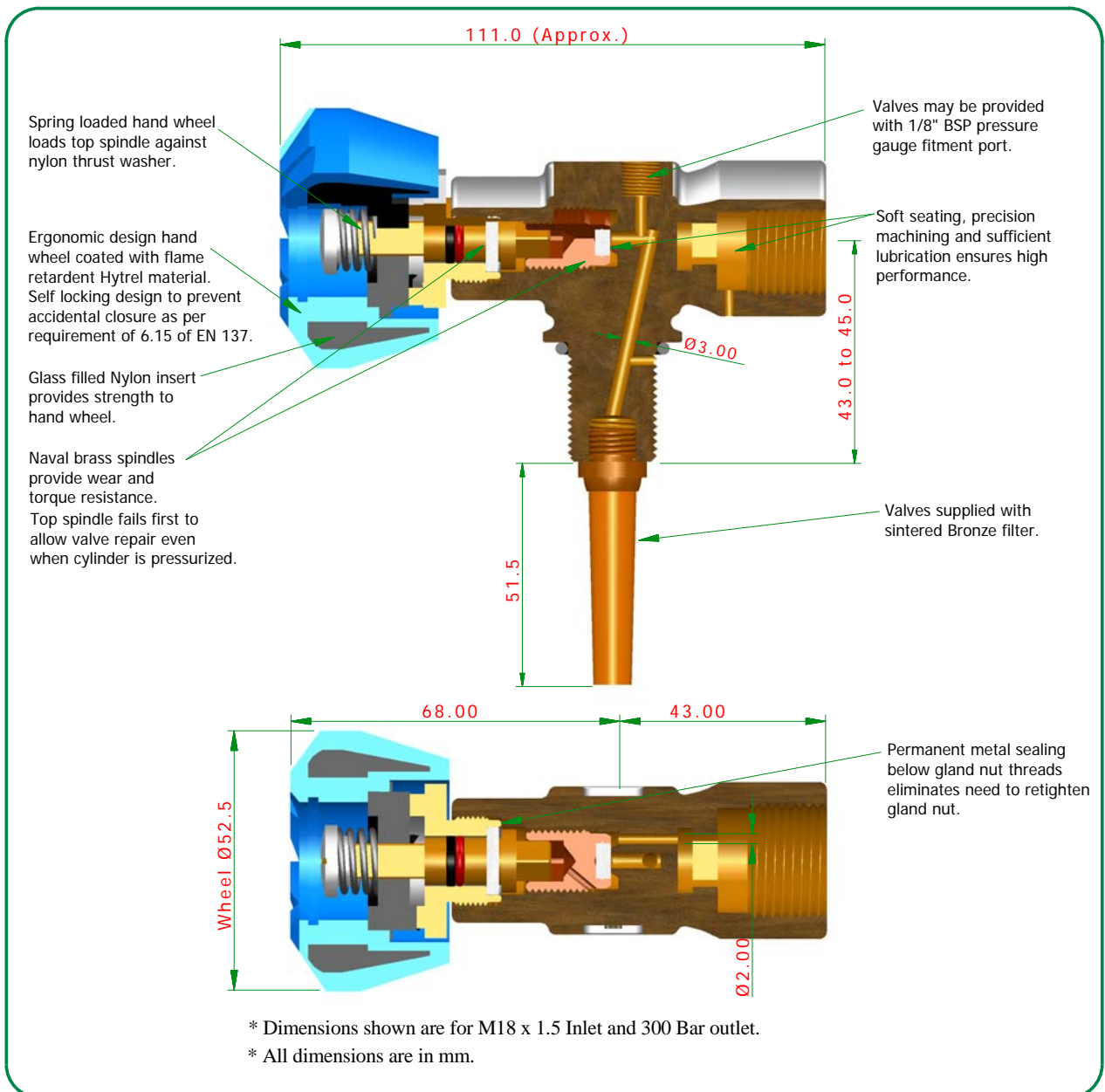
Series HBA-10
(Top wheel configuration)

Series Modified MBA-10
(Side wheel configuration)



➔ O-Ring seal design with Self locking wheel.

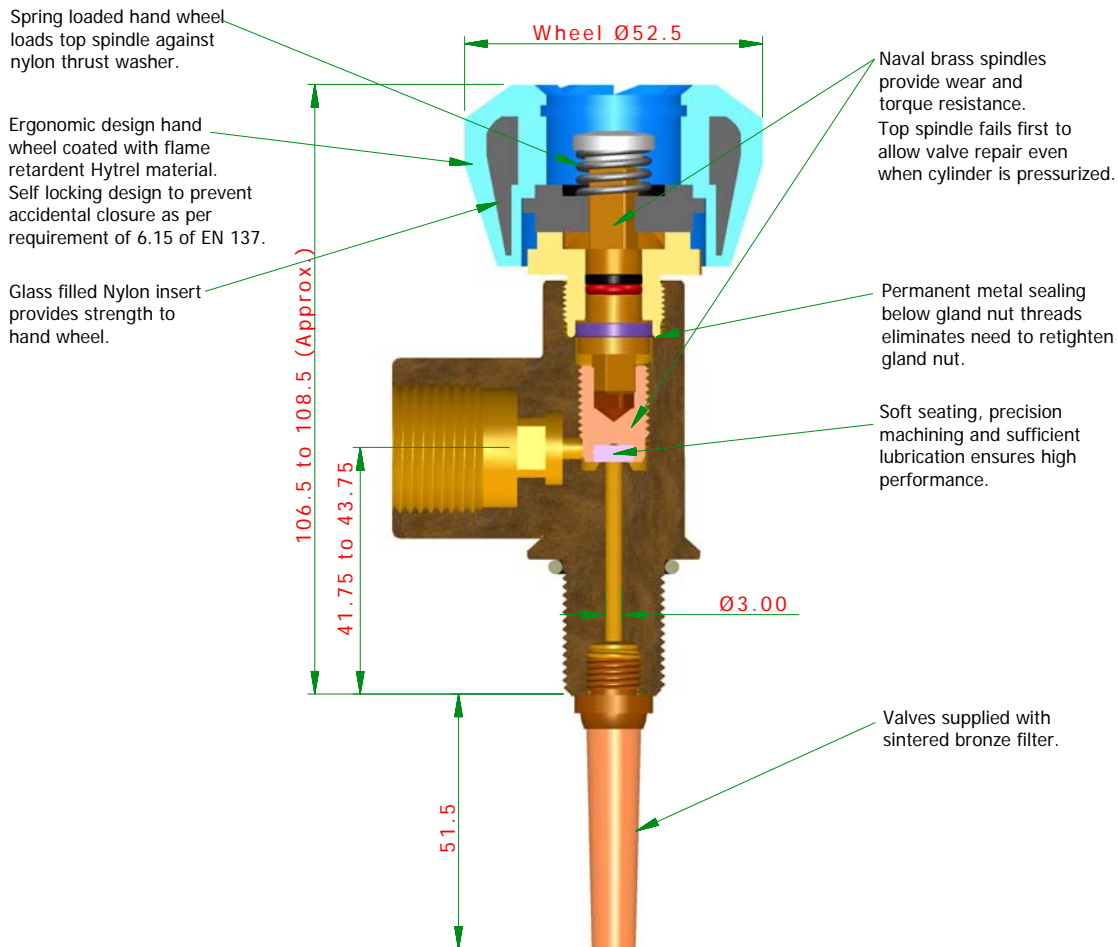
Series Modified MBA-10



Specification and Certification-

- Meets EN ISO 10297 and EN 144-1, certified by BAM Berlin.
- Available with **T** mark in accordance with TPED 1999/36/EC.
- Meets IS:7302, duly approved by PESO Nagpur for domestic market under Lloyd's inspection.

Series HBA-10



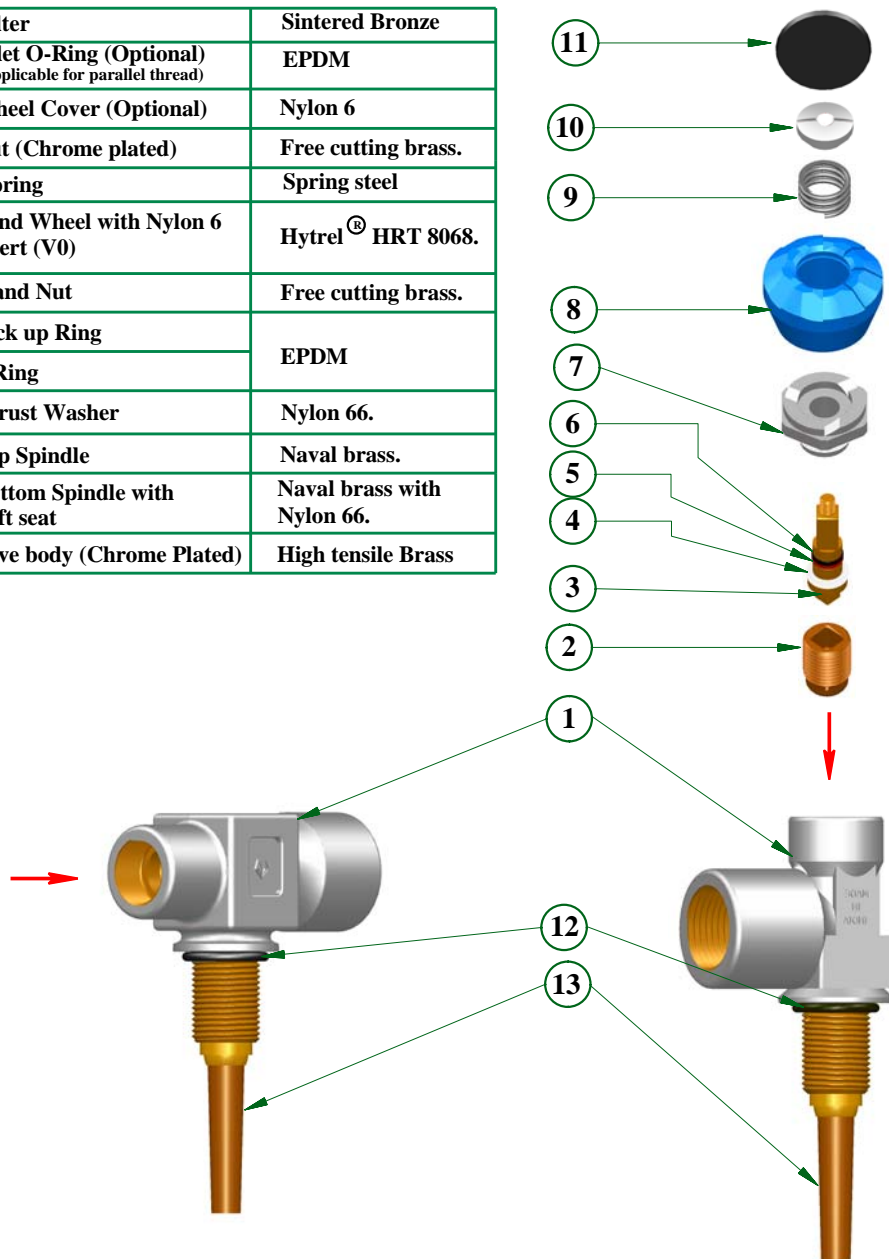
* Dimensions shown are for M18 x 1.5 Inlet and 300 Bar outlet.
 * All dimensions are in mm.

Specification and Certification-

- Meets EN ISO 10297 and EN 144-1, certified by BAM Berlin.
- Available with **T** mark in accordance with TPED 1999/36/EC.
- Meets IS:7302, duly approved by PESO Nagpur for domestic market under Lloyd's inspection.

Series Modified MBA-10 and HBA-10

SL.NO.	DESCRIPTION	MATERIAL
13	Filter	Sintered Bronze
12	Inlet O-Ring (Optional) (Applicable for parallel thread)	EPDM
11	Wheel Cover (Optional)	Nylon 6
10	Nut (Chrome plated)	Free cutting brass.
9	Spring	Spring steel
8	Hand Wheel with Nylon 6 Insert (V0)	Hytrel [®] HRT 8068.
7	Gland Nut	Free cutting brass.
6	Back up Ring	EPDM
5	O-Ring	
4	Thrust Washer	Nylon 66.
3	Top Spindle	Naval brass.
2	Bottom Spindle with Soft seat	Naval brass with Nylon 66.
1	Valve body (Chrome Plated)	High tensile Brass



Series Modified MBA-10 and HBA-10

Technical Details

✦ Minimum cycle life	2000 cycles
✦ Operating temp.	-30°C to 65°C (As per 6.11.1.1 of EN 137)
✦ Minimum Closing torque	3 Nm
✦ Gland nut tightening torque	60 Nm
✦ Max. Working Pressure	300 Bar
✦ Lubricant	Krytox GPL 225
✦ Max. package mass which can be used without valve protection	16 kgs.
✦ Valve outlet	As per EN 144-2
✦ Valve Inlet	As per chart below
✦ Sintered filter details :-	Grain size 125-180 micron Filtration level 20 micron

Recommended Tightening torque (As per ISO 13341:1997)

Thread Size		Aluminium Cylinder		Steel Cylinder	
		Min. (Nm)	Max. (Nm)	Min. (Nm)	Max. (Nm)
Parallel	M18	85	100	100	130
	M25	95	130	100	130
Taper	17E/18.16mm	75	95*	120	150
	25E/25.4mm/ 3/4-14NGT	95	110*	200	300

* Without cylinder neck reinforcement.

Enquiry checklist:- :-

1. Series No.
2. Inlet size of the valve.
3. Working pressure (200 or 300 Bar).
4. Provision for gauge fitment (For Modified MBA-10 only).
5. Proposed order quantity.
6. Whether Inlet O-rings are required (For parallel threads only).